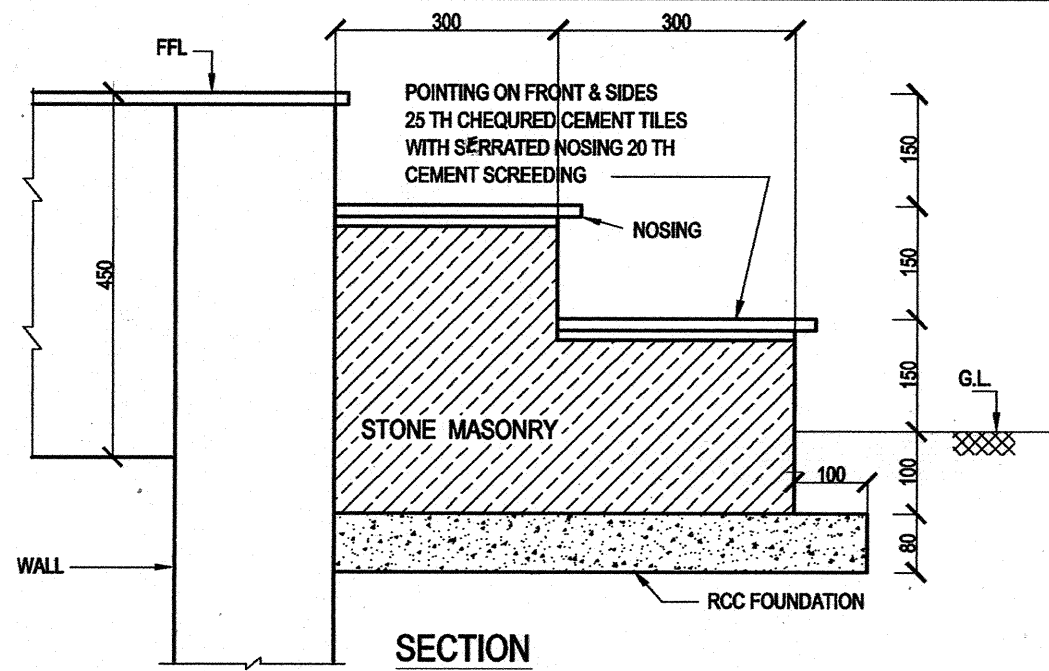


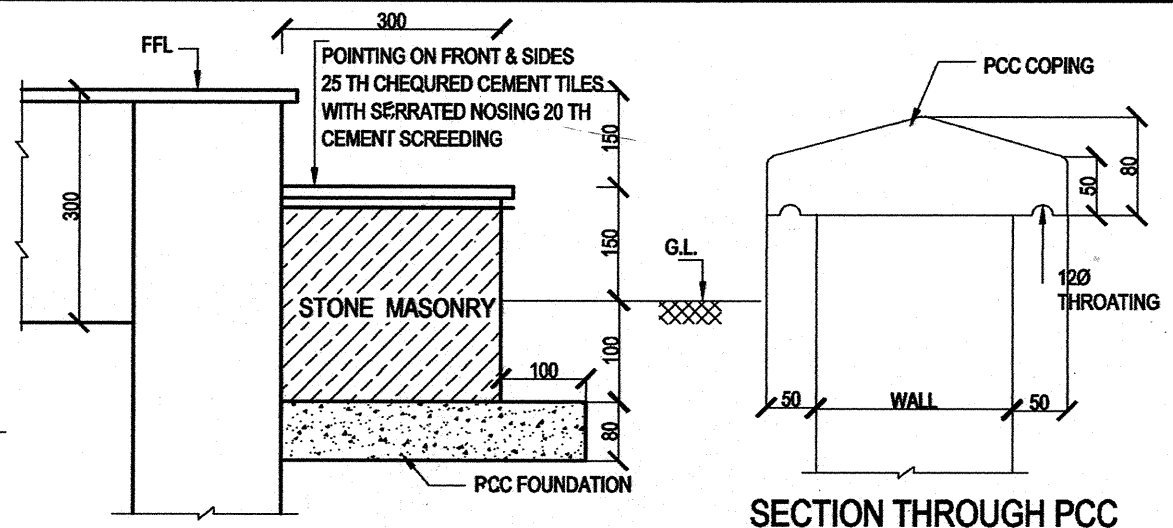
NOTES

- 1 CONTRACTOR TO CHECK & VERIFY ALL DIMENSIONS BEFORE EXECUTION OF THE WORK
- 2 FIGURED DIMENSIONS SHALL BE FOLLOWED.
- 3 ALL DIMENSIONS GIVEN IN MILLIMETERS UNLESS OTHERWISE SPECIFIED.
- 4 THIS DRG IS BASED ON CEPZ/86/TD/15 DT 20-5-86

NOTE :- ONE NO FORMAT SHALL BE PROVIDED FOR EACH BLDG & POSITION SHALL BE DECIDED BY ENGB-IN-CHARGE AS PER BLDG POSITION

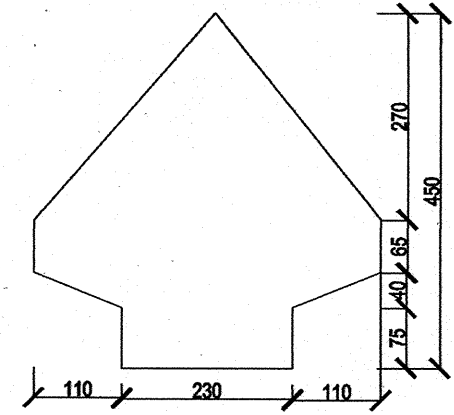


SECTION DETAIL OF STEPS SCALE 1:10

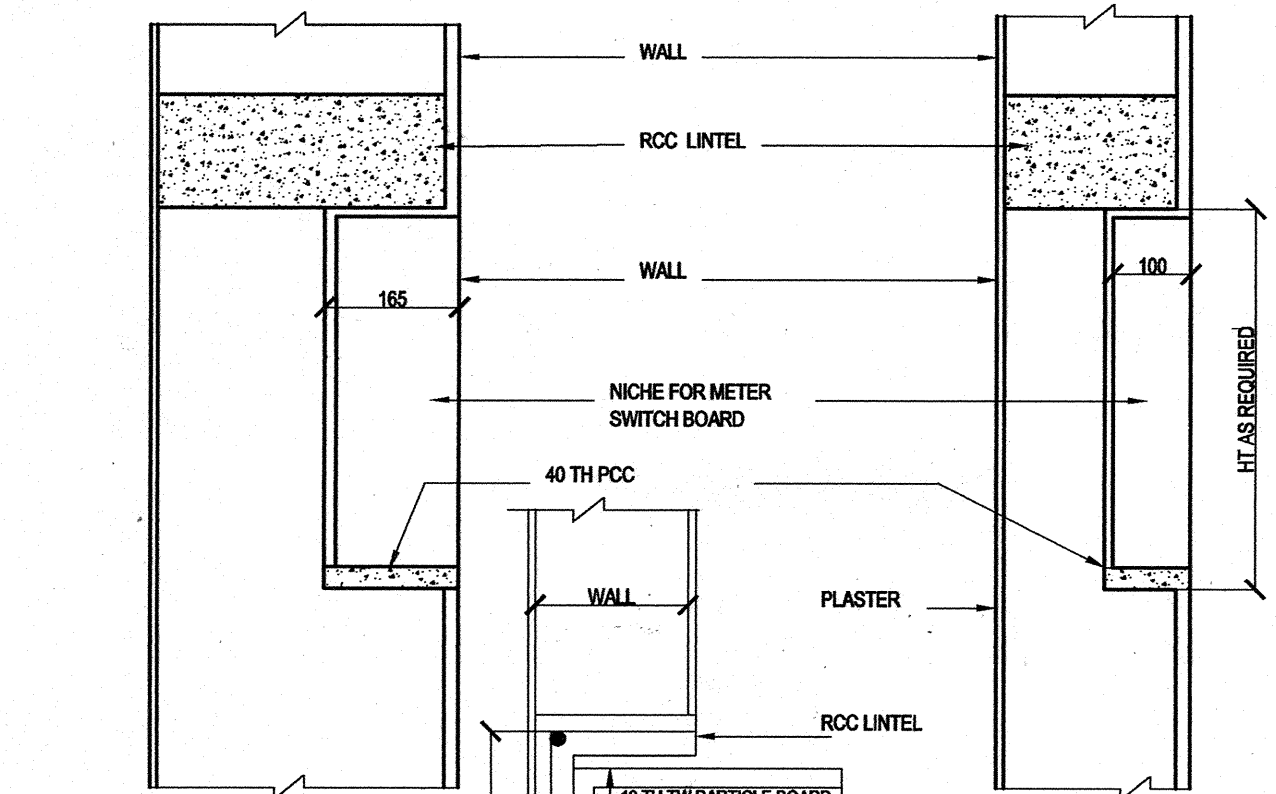


DETAIL OF STEPS SCALE 1:10

SECTION THROUGH PCC COPING OVER WALL NOT TO SCALE

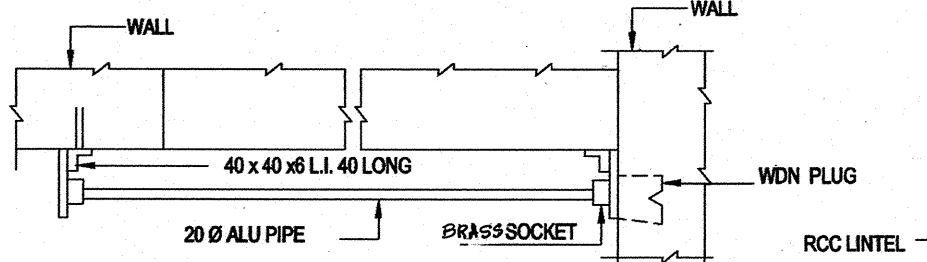


ELEVATION OF FORMAT SCALE 1:100

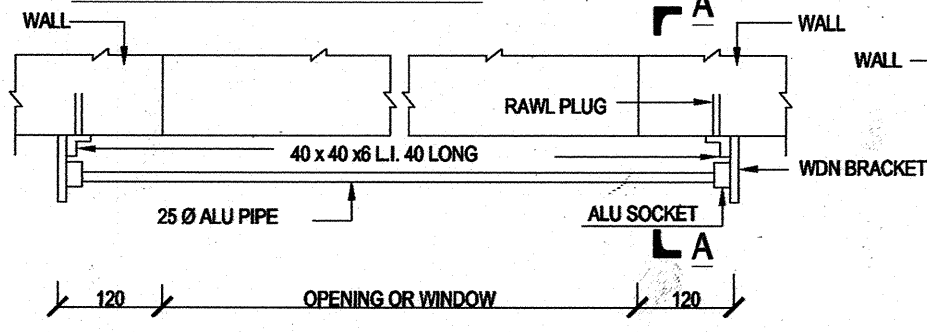


DETAIL OF NICHE FOR SUB METER SWITCH BOARD SCALE 1:10

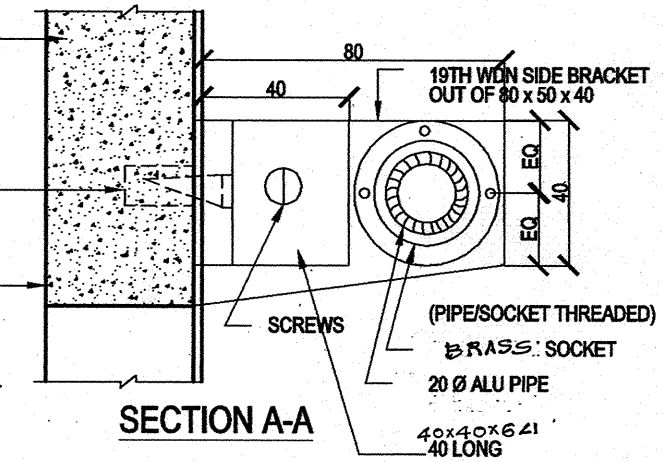
DETAIL OF NICHE FOR METER SWITCH BOARD SCALE 1:10



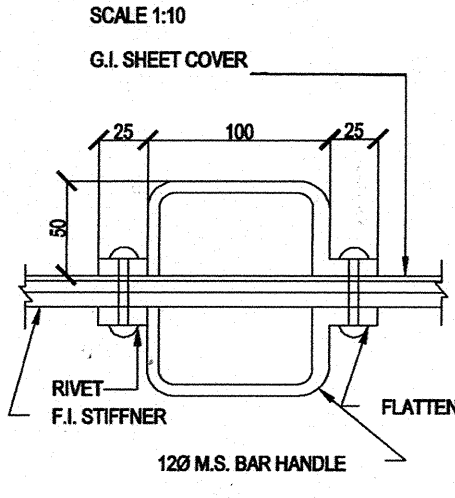
PLAN OF CURTAIN ROD (INCASE OF OPENING) ABUTING THE CROSS WALL SCALE 1:10



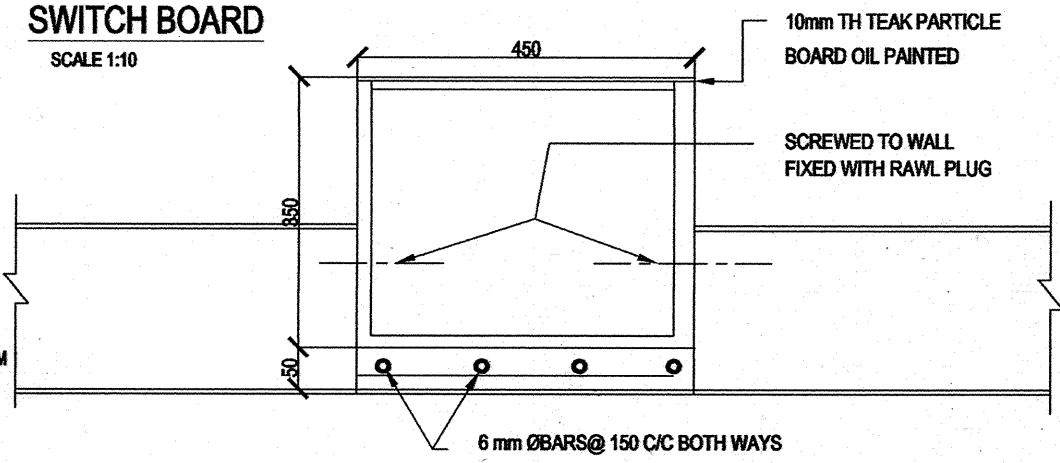
PLAN OF CURTAIN ROD (CR) SCALE 1:10



SECTION A-A



SECTION TROUGH TELEPHONE NICHE SCALE 1:10



PLAN OF TELEPHONE NICHE SCALE 1:10

THIS DRG IS COMPARED BY P. MATHUR ON 9-4-03

S.NO	DATE	DESCRIPTION	SIGN
REVISION NOTE			
MISCELLANEOUS DETAILS			
DETAILS OF TELEPHONE NICHE CURTAIN ROD, FORMAT, PCC COPING STRPS, NICHE FOR METER SWITCH BOARD ETC.			
DRN	N. SINGH	CHIEF ENGINEER PUNE ZONE PUNE	DATE
TCD	Mrs. M.S.G.		01/10/88
CKD	<i>[Signature]</i>		SCALE
CD	<i>[Signature]</i>		AS SHOWN
<i>[Signature]</i>		S.O. II (DESIGN)	SENIOR ARCHITECT FOR CEPZ PUNE.
ARCHITECT			
DRG. NO. CEPZ/88/TD/4M			4/4